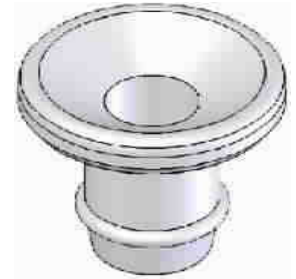


### Description

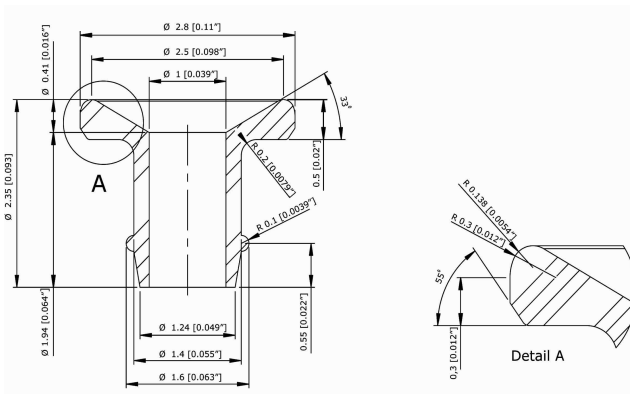
The C-Barrier is a device that is designed to protect the sound outlet of an acoustic transducer. The C-Barrier increases the life expectancy of a hearing instrument by keeping out foreign material such as cerumen (in solid, liquid or gaseous form), from entering the transducer. For a complete hearing instrument application against cerumen, the C-Barrier product should be used with a Sonion barometric relief receiver.



### Features

- Increases life time of transducers
- Reduces return rate of transducers
- Biocompatible
- Water resistant

### Dimensions in mm (inch)



### Specifications

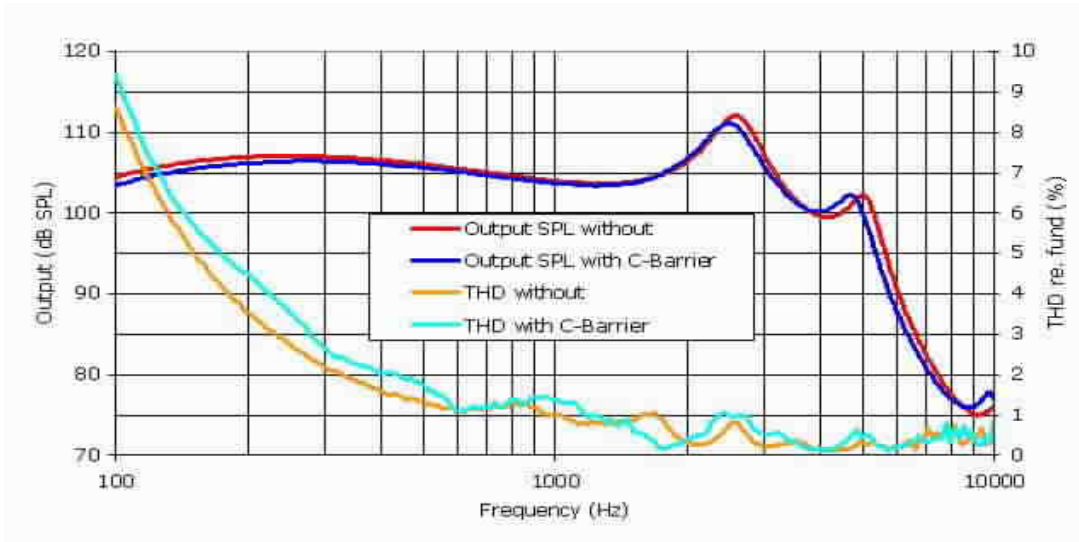
All parameters are specified at environmental conditions: 23 °C (73.4F), 50% RH using a 2CC ITE coupler with 10mm x 1.4 mm ID tubing. All specifications subject to handling in accordance with Sonion's user instruction.

Parameters	Min	Typ	Max	Unit	Comments
Increased THD at 1kHz		1	3	%	at SPL levels below 110dB
Decreased output SPL at 1 kHz		0.5	2	dB SPL	at SPL levels below 110dB
Change in first peak frequency		0.15	0.4	kHz	using 2300, 2600 series
Change in second peak frequency		0.4	0.8	kHz	using 2300, 2600 series
Insertion force C-Barrier			10	N	using Viton tube ID 1.4mm
Retraction force C-Barrier	1		10	N	using Viton tube ID 1.4mm
Insertion force C-Barrier in tool			10	N	using Viton tube ID 1.4mm
Retraction force C-Barrier in tool	1		10	N	using Viton tube ID 1.4mm
Storage time	2			year(s)	at storage conditions
Operating temperature range	20		40	°C	
Storage temperature range	-10		60	°C	
Operating humidity range	10		99	% RH	
Storage humidity range	10		95	% RH	

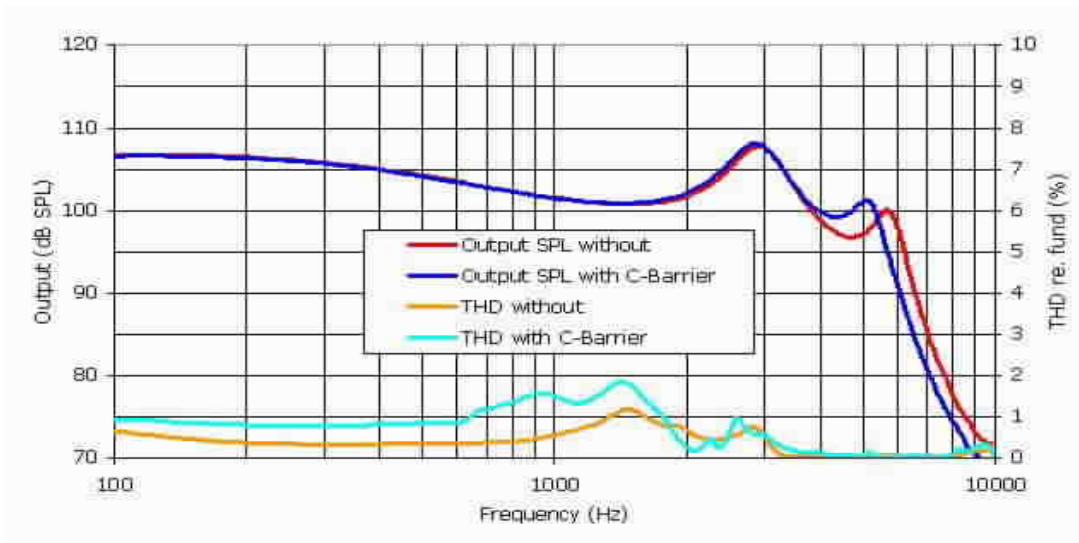
Sonion reserves the right to make changes at any time to improve reliability, function or design, in order to provide the best product possible.

### Typical response curve

Sonion barometric relief receiver model 23x95 BV.  
Measured at nominal voltage drive in a 2CC ITE coupler, 10mm x 1.4mm ID tubing.



Sonion barometric relief receiver model 26D01 BV.  
Measured at nominal voltage drive in a 2CC ITE coupler, 10mm x 1.4mm ID tubing.



Sonion reserves the right to make changes at any time to improve reliability, function or design, in order to provide the best product possible.